

Door Hardware

solutions

TÜR AT A GLANCE

TÜR International FZCO is formed with a goal of providing comprehensive solutions within Architectural Door Hardware and Automatic Door industry. Our firm believes that all projects benefit from a process involving the Client, Architects, Building Contractors and other specialists in an informative collaboration, and that successful projects are made possible through the management of all participants involved.

Our team has more than three decades of experience working on complex projects ranging from Health, Education, Military, Hospitality and Commercial sectors across the Middle East. Coupled with the firm's skills in managing increasingly intricate submittal and approval procedures, our approach ensures the client of quality services that are provided with the highest standards of technical support.

At TÜR you are assured of:

- Personalized service
- Product quality
- Competitive price

We look forward to building a long-term business relationship and assure you of our very best always.





Index

01. AMERICAN STANDARD



02. EUROPEAN STANDARD

03. GLASS HARDWARE



04. THE COMPLETELY
CONCEALED HINGE SYSTEM

06. ACCESS CONTROL



05. AUTOMATIC OPERATORS



tür
opening doors

AMERICAN STANDARD

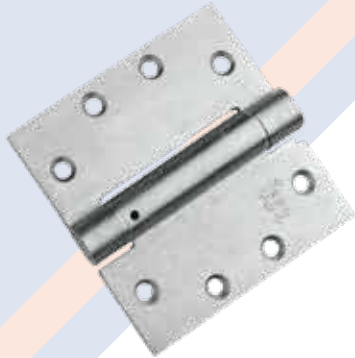
ANSI/BHMA GRADE 1 HINGES



5 knuckle
4 Ball bearing butt hinges
ANSI/BHMA Grade 1
Model# TA 4030 to 4040



5 knuckle
2 Ball bearing butt hinges
ANSI/BHMA Grade 1
Model# TA 4010 to 4020



3 knuckle
2 Anti friction bearing hinges
Single Acting Spring Hinge
ANSI/BHMA Standard
Model# TA 4410



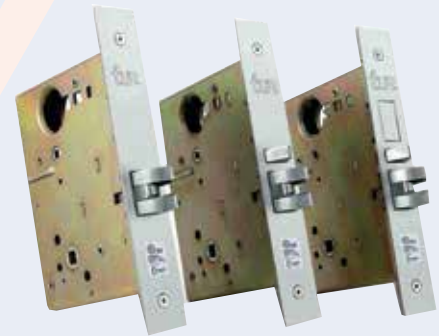
Rising and Falling Hinges
Model# TA 4710



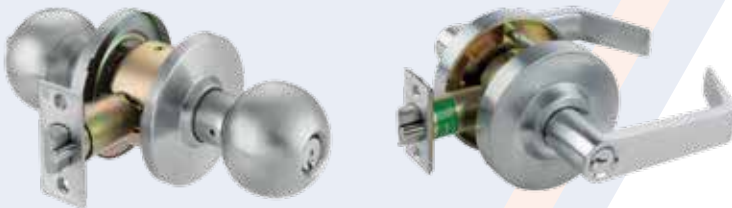
3 knuckle
2 Concealed Ball bearing butt hinges
ANSI/BHMA Standard
Model# TA 4310



Rising and Falling
Model# TA 4720



ANSI/BHMA Grade 1
Mortise Locksets
Model# TA 1000 Series

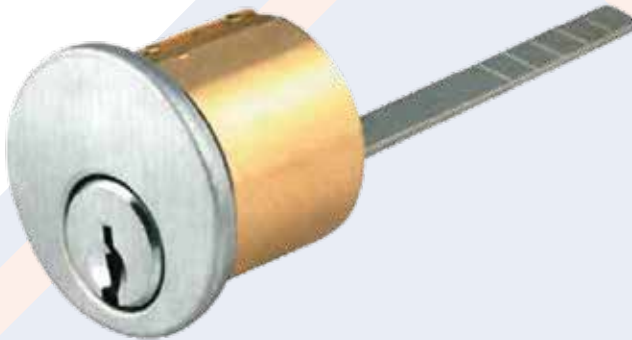


ANSI/BHMA Grade 1
Cylindrical Locks with Lever/ Knob
Model# TA 2000 Series KK/ KL



Auxiliary Locks (Deadbolts)
ANSI/BHMA Standard
TA 2100 Series

Rim Cylinders
Model# TA 3610



Conventional Mortise Cylinders
Model# TA 3100



Small Format
Interchangeable Cores
Model# TA 3200



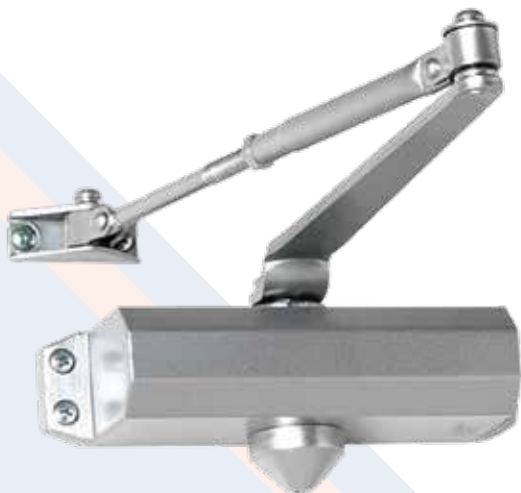
SFIC Housing
Model# TA 3300



ANSI/BHMA GRADE 1 DOOR CLOSERS



Light Duty
Fixed Power-Size 3/4
UL Listed
Model# TA 7304



Heavy Duty
Power Adjustable
(Size 1-4 /3-6)
UL Listed
ANSI/BHMA Grade 1
Model# TA 7116



Medium Duty
Power Adjustable
(Size 1-6)
UL Listed
ANSI/BHMA Grade 1
Model# TA 7216

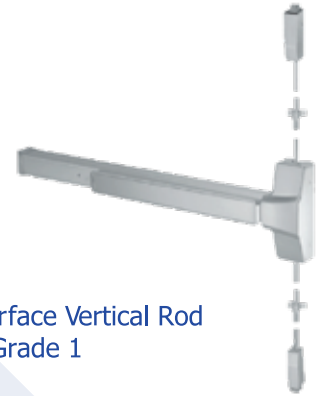


Heavy Duty
Power Adjustable
(Size 1-4/3-6)
UL Listed
ANSI/BHMA Grade 1
Model# TA 7016

ANSI/BHMA GRADE 1 PANIC DEVICES



Rim Type
ANSI/BHMA Grade 1
UL Listed
Model# TA 9910



Wide Stile Surface Vertical Rod
ANSI/BHMA Grade 1
UL Listed
Model# TA 9920



Mortise Type
ANSI/BHMA Grade 1
UL Listed
Model# TA 9930



Reinforced Plate

Wide Stile Concealed Vertical Rod
ANSI/BHMA Grade 1
UL Listed
Model# TA 9940



Rim Type
ANSI/BHMA Grade 1
UL Listed
Model# TA 9110

Narrow Stile Concealed Vertical Rod
ANSI/BHMA Grade 1
UL Listed
Model# TA 9140



Narrow Stile Surface Vertical Rod
ANSI/BHMA Grade 1
UL Listed
Model# TA 9120





External Trim - Thumb-piece/Cylinder on Plate
Model# TA 96T Series



External Trim - Lever on Escutcheon
Model# TA 95L Series



Pull Handle on Backplate
Model# TU 8106



Push Plate
Model# TU 8181



Security Finger Pull
Model# TU 8921





Automatic Flush Bolt
UL Listed
Model# TU 8610 WD

Flush Bolt
UL Listed
Model# TU 8401 MD



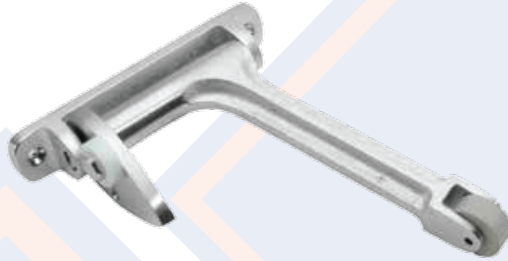
Dust proof strike
Model# TU 8410



Kick down Door Holder
Model# TU 8289



Door coordinator
Model# TU 8409



Floor Door Stop
Model# TU 8200



Model# TU 8209



Door Silencer
Model# WDS



Wall Door Stop
Model# TU 8240



Model# TU 8250



Model# MDS





EUROPEAN STANDARD

5 knuckle
2 Ball bearing butt hinges
EN Standard CE Certified
Model# TE 4110



5 knuckle
2 Ball bearing butt hinges
EN Standard CE Certified
Model# TE 4120



5 knuckle
4 Ball bearing butt hinges
EN Standard CE Certified
Model# TE 4130





Dead Bolt Lock
TE 1440



Bathroom Lock
TE 1420



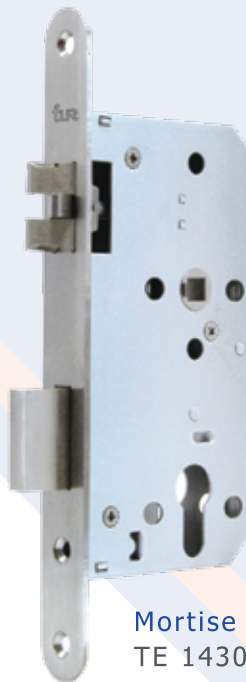
Narrow Hook Lock
TE 1510



Nightlatch Lock
TE 1460



Roller Lock
TE 1520



Mortise Sash Lock
TE 1430



Night Deadbolt Lock
TE 1470



TE 1910.968



TE 1910.965



TE 1910.964



TE 1920.945



TE 4930.919



TE 1920.948



TE 1910.977



TE 1930.955



TE 4930.901



Quality, Precision And Durability Are The Trademarks Of The Pz88 Standard Cylinder. The Compact Range Offers The Most Common Cylinder Types For Single Key Bitting Or Keyed-alike Locking Without A Security Card.



Service cylinder
Completely pre-mounted for quick assembly of keyed-alike sets.
TE 3606.DSC70



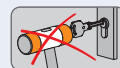
Knob cylinder
The modular concept with detachable thumbturn.
TE 3606.TT70



TE 3606.DC70



TE 3606.SC45



TE 7792G
Cam Action Door Closer With Track Arm



TE 7768V
Rack & Pinion With Standard Arm



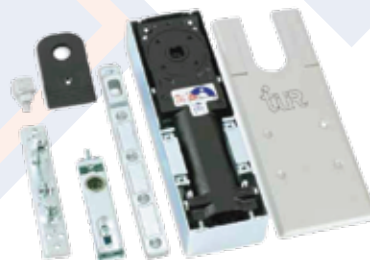
TE7796G
Concealed Cam Action Door Closer
With Track Arm



TE 7772V
Rack & Pinion With Standard Arm



TE 7850
Floor Spring, Up To 150kg



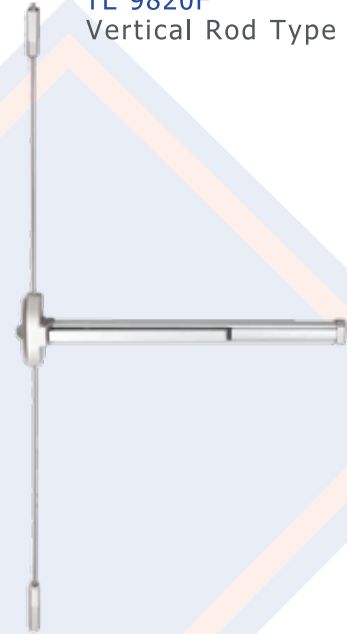
TE 7860
Floor Spring, Up To 300kg



TE 9810F
Rim Type



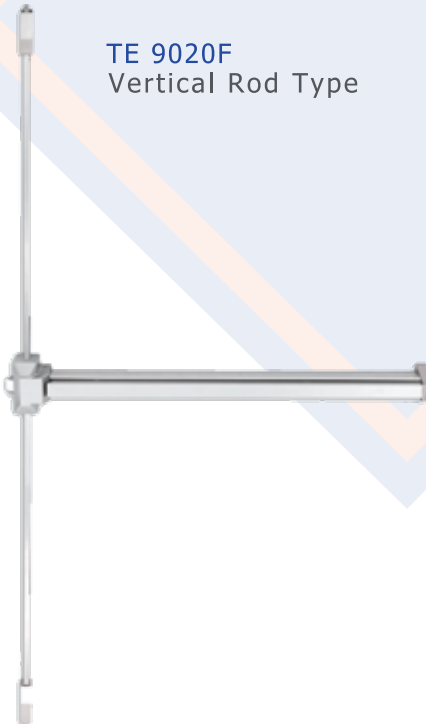
TE 9820F
Vertical Rod Type



TE 9010F
Rim Type (8000R & F8000R)



TE 9020F
Vertical Rod Type



TE 93L01A





GLASS HARDWARE



Center Lock Patch Fitting



Upper Patch Fitting



Top Patch Fitting



Bottom Patch Fitting

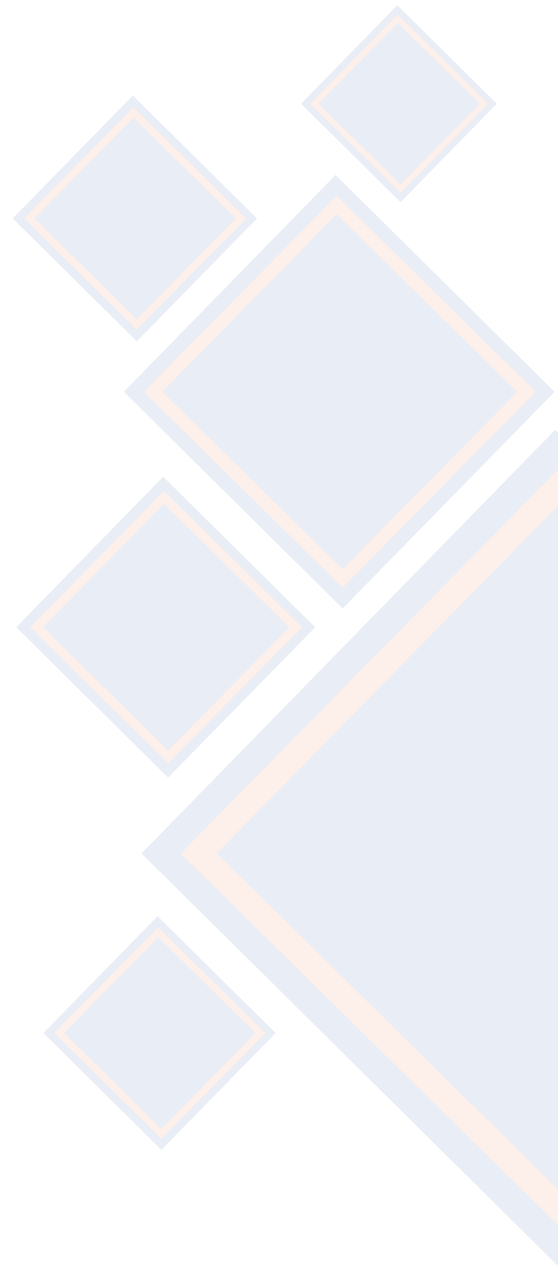


Hydraulic Patch Fittings



American Patch Lock





TECTUS®

The completely concealed hinge system



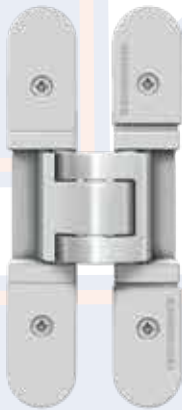
TE 240 3D
Up to 60,0 kg



TE 340 3D
Up to 80,0 kg



TE 526 3D
Up to 120,0 kg



TE 527 3D
Up to 120,0 kg



TE 540 3D
Up to 120,0 kg



TE 640 3D
Up to 200,0 kg



Certification CE



Certification IFT



Certification UL

* Product certification may vary subject to model number



Automatic



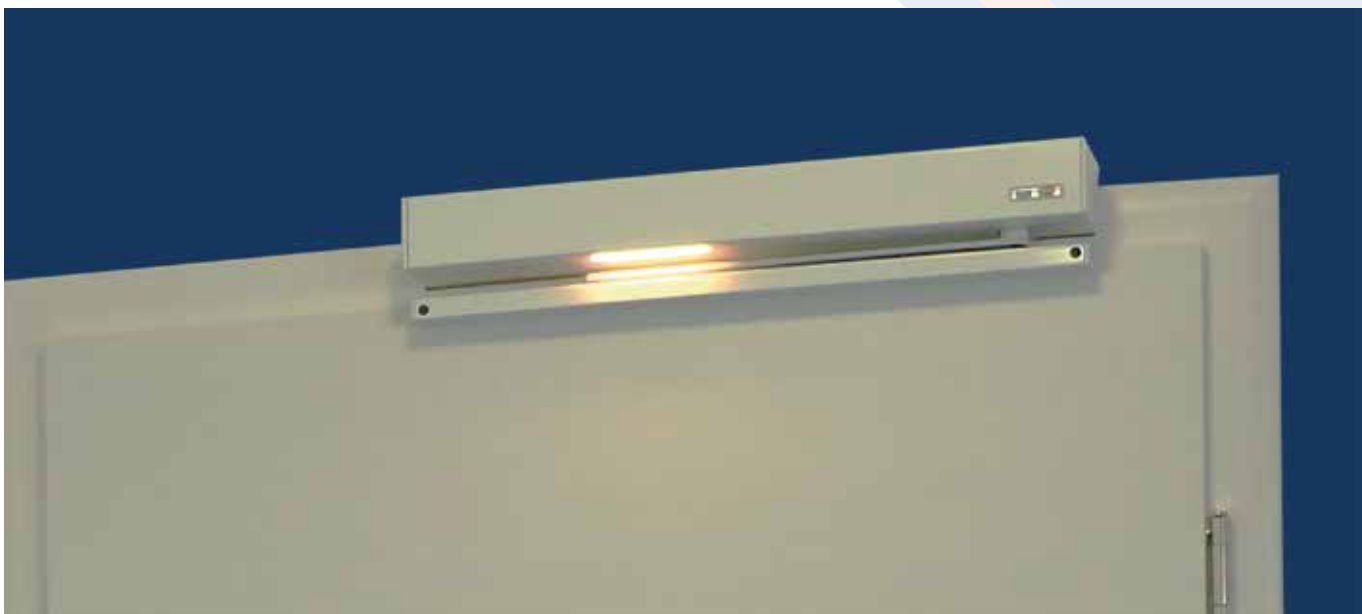
AUTOMATIC OPERATORS



Swing Door Drive DTN 80
Up to 600,0kg



Swing Door Drive DTN 40
Up to 125,0kg





compact Master CM and CM-F in line Sliding Door

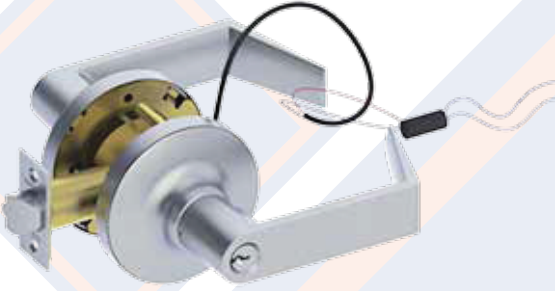
Economaster Em And Em-f In The Sliding Door





ACCESS CONTROL

Electrified Cylindrical Locks



Electrified Mortise Locks



Power Supply



Electromagnetic hold open



Electrified Latch Retraction





Power Transfer Hinges
Electric Transfer Hinge



Power Transfer Hinges
Electric Transfer Monitoring Hinge



Alarm Feature



Delayed Egress Feature





WASHROOM ACCESSORIES

Corrosion Resistant HIGH GRADE AISI 316





Georgia

Lebanon

Jordan

Kuwait

Saudi Arabia

Dammam

Bahrain

Qatar

Riyadh

UAE

Jeddah

Oman

India

Sri Lanka



Where to find us

*Opening
doors*



TÜR INTERNATIONAL FZCO

+971 4 886 6571
info@tur.com.co
www.tur.com.co

P.O.Box:17829
JAFZA 01, Office #2501
Jebel Ali Free Zone, Dubai
United Arab Emirates